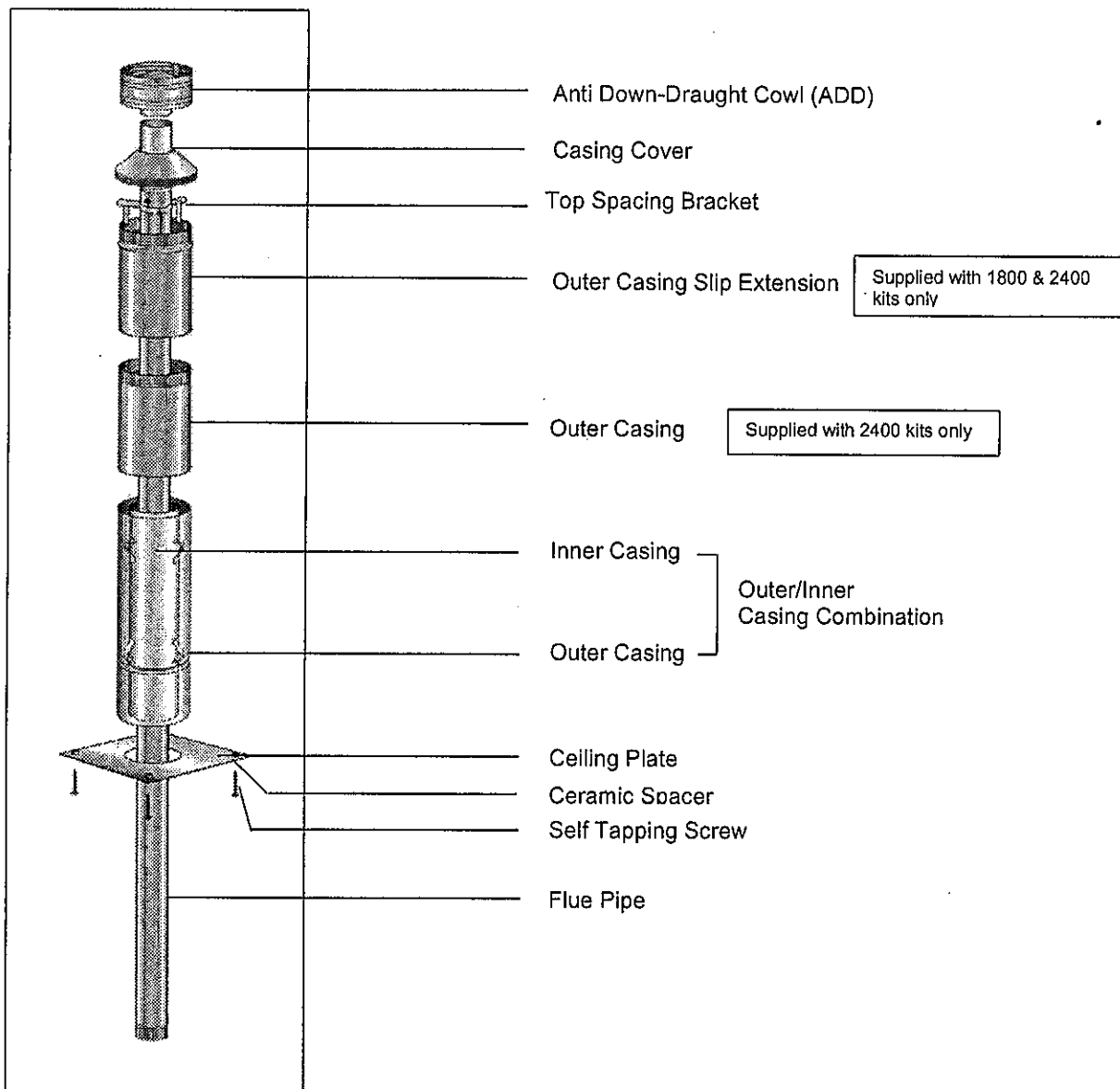




Sheetmetal Fabricated Products Ltd.

150mm Free Standing Wood Fire Flue Kit Installation Instructions Complies with AS/NZS 2918:2001





Sheetmetal Fabricated Products Ltd.

150 MM FREE STANDING WOODFIRE FLUE KIT INSTALLATION INSTRUCTIONS

WARNING: THIS FLUE KIT HAS BEEN MANUFACTURED IN ACCORDANCE WITH AS/NZS 2918:2001 AND TESTED TO APPENDIX F. TO ENSURE SAFETY THIS FLUE KIT MUST BE INSTALLED AS OUTLINED IN THESE INSTRUCTIONS AND THE APPROPRIATE REQUIREMENTS OF THE RELEVANT BUILDING CODE OR CODES. WOOD FIRE AND FLUE CLEARANCES FROM COMBUSTIBLE WALLS MUST BE IN ACCORDANCE WITH WOOD FIRE MANUFACTURER'S SPECIFICATIONS AND AS/NZS 2918:2001. THESE INSTALLATION INSTRUCTIONS ARE FOR TESTED APPLIANCES ONLY.

CAUTION: MIXING FLUE SYSTEM COMPONENTS FROM DIFFERENT SOURCES OR MODIFYING THE DIMENSIONAL SPECIFICATION OF COMPONENTS MAY RESULT IN HAZARDOUS CONDITIONS. WHERE SUCH ACTION IS CONSIDERED, THE MANUFACTURER SHOULD BE CONSULTED IN THE FIRST INSTANCE.

CAUTION: IT IS THE RESPONSIBILITY OF THE INSTALLER TO ENSURE THAT THE INSTALLATION OF THIS FLUE KIT COMPLIES WITH AS/NZS 2918:2001, THE APPLIANCE MANUFACTURERS SPECIFICATIONS FOR FLUE PIPE SHIELD AND CEILING PLATE AND THAT THE RELEVANT BUILDING CODES ARE ADHERED TO.

BENDS AND EXTENSIONS TO THE LENGTH OF A FLUE SYSTEM ARE PERMITTED (AS/NZS 2918 2001 4.1)

- 1) Locate Wood Fire in its proposed position and mark a point on the ceiling that is directly above the centre of the Wood Fire's Flue Spigot. Check that the Wood Fire's location allows the OUTER CASING to clear all structural roof timbers.
- 2) Cut a 250mm square hole in ceiling. Directly above cut a hole in roof to accommodate OUTER CASING.
- 3) Fit timber nogs around ceiling. i.e. Nogs form a 250mm square aperture that allows air to circulate freely over the OUTER CASING surface.
- 4) Position the OUTER CASING so that it is flush with the underneath of the ceiling and protrudes through the roof the required height. Note that AS/NZS 2918:2001 4.9.1(a) states, "the FLUE PIPE shall extend not less than 4.6m above the top of the floor protector". Refer to diagram B.
 - a) If the FLUE PIPE is within 3 metres of the ridge, the FLUE PIPE must protrude at least 600mm above the ridge of the roof.
 - b) If the distance from the ridge is more than 3 metres, the FLUE PIPE must protrude at least 1000mm above roof penetration.
 - c) The FLUE PIPE must be more than 3 metres from any nearby structure. (Refer diagram C).

Additional FLUE PIPE, OUTER CASING and/or INNER CASING may have to be added to ensure the following:

- I) The correct minimum roof penetration height.
- II) Sufficient overall height to encase the FLUE PIPE which must extend a minimum of 4.6 metres from the floor protector. Refer diagram B.

Note that the INNER CASING should extend 200mm above roof penetration.

NB: Do not secure the OUTER CASING SLIP EXTENSION onto the OUTER CASING, as final adjustment will be required when fitting cowl assembly. See Paragraph 11.

- 5) Fix an appropriate flashing around the OUTER CASING to seal onto the roofing material. Refer to the manufacturer's recommendations for correct fitting. NB: On iron roofs, fixings such as metal angle brackets (approximately 25mm x 25mm) can be fitted under the flashing to securely fix the roof to OUTER CASING.
- 6) Drill holes in ceiling plate for the fixing screws. Place CEILING PLATE over Wood Fire's Flue Spigot, ensuring the folded edges are facing the ceiling.
- 7) Position bottom length of FLUE PIPE (crimped end downwards) into Wood Fire Flue Spigot.

Refer to the supplier of the Wood Fire and use flue pipe sealant if recommended.

- 8) Assemble FLUE PIPES together ensuring seams are straight, offsetting the seams will ensure a neat fit. FLUE PIPES must be assembled with crimped ends down (towards Wood Fire). Secure each joint with a minimum of three Monel Steel rivets equally spaced around the joint. If using HI-THERM FLUE PIPE the protective wrapping should be left on the FLUE PIPE during installation.
- 9) From the roof lower FLUE PIPE through OUTER CASING into the bottom FLUE PIPE securing with three monel rivets.
- 10) Check that the FLUE PIPE SPACING BRACKETS inside the INNER CASING are correctly positioned and then from the roof slide the INNER CASING into the OUTER CASING until the brackets rest on to the internal swage ring of the OUTER CASING, this will ensure the INNER CASING is the correct 12mm above ceiling level.

Check the INNER CASING when correctly positioned extends a minimum of 200mm above the roof penetration.
- 11) Before securing the OUTER CASING SLIP EXTENSION to the OUTER CASING with 3 rivets, ensure the FLUE PIPE extends above the top of the OUTER CASING SLIP EXTENSION 145mm. Adjust SLIP EXTENSION to obtain this measurement.
- 12) Fit TOP SPACER BRACKET to the FLUE PIPE making sure the lugs fit snugly inside OUTER CASING SLIP EXTENSION. Make sure TOP SPACER BRACKET fits hard down onto OUTER CASING SLIP EXTENSION.
- 13) Fit CASING COVER over the FLUE PIPE and push down firmly onto TOP SPACER BRACKET.
- 14) Fit COWL but do not secure, as removal for flue cleaning will be necessary. Deform or ovalise the stub of the COWL to ensure it is a tight friction fit.
- 15) Fasten CEILING PLATE to ceiling using screws and ceramic spacers provided. Ensure an even air gap around FLUE PIPE when fixing. Remove protective plastic from CEILING PLATE. N.B. 12mm air gap between ceiling plate and ceiling must be maintained.
- 16) Leave all installation and operating instructions with the owner.

Cleaning of Flue Pipes before lighting the fire.

Stainless Steel pipe should be wiped clean using a soft cloth and methylated spirits to remove finger marks and oils used to manufacture the flue pipe.

Enamelled flue pipes should be wiped with a soft cloth.

Hi-Therm flue pipe can be touched up using only STOVE BRIGHT aerosol paint.

Diagram B

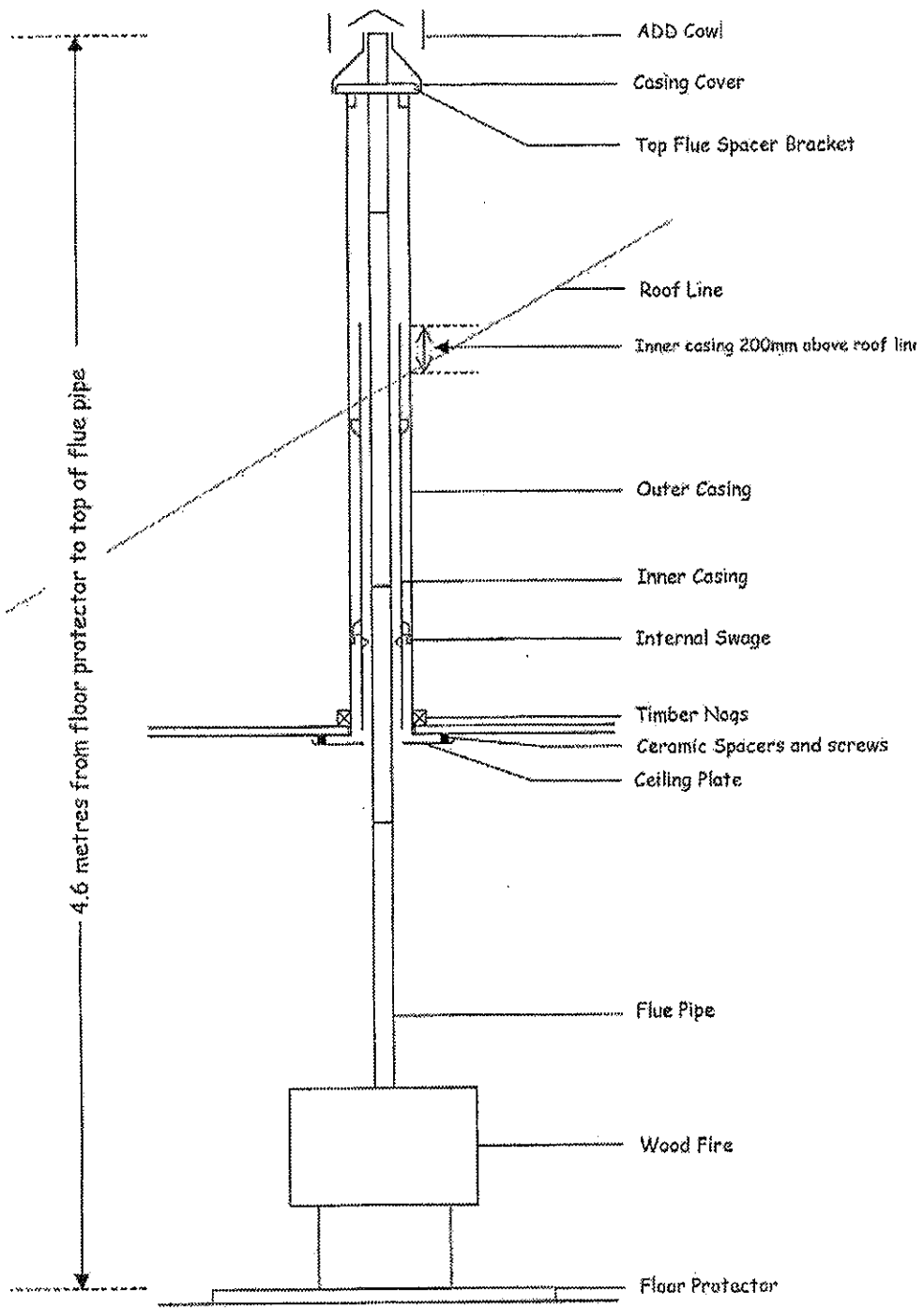
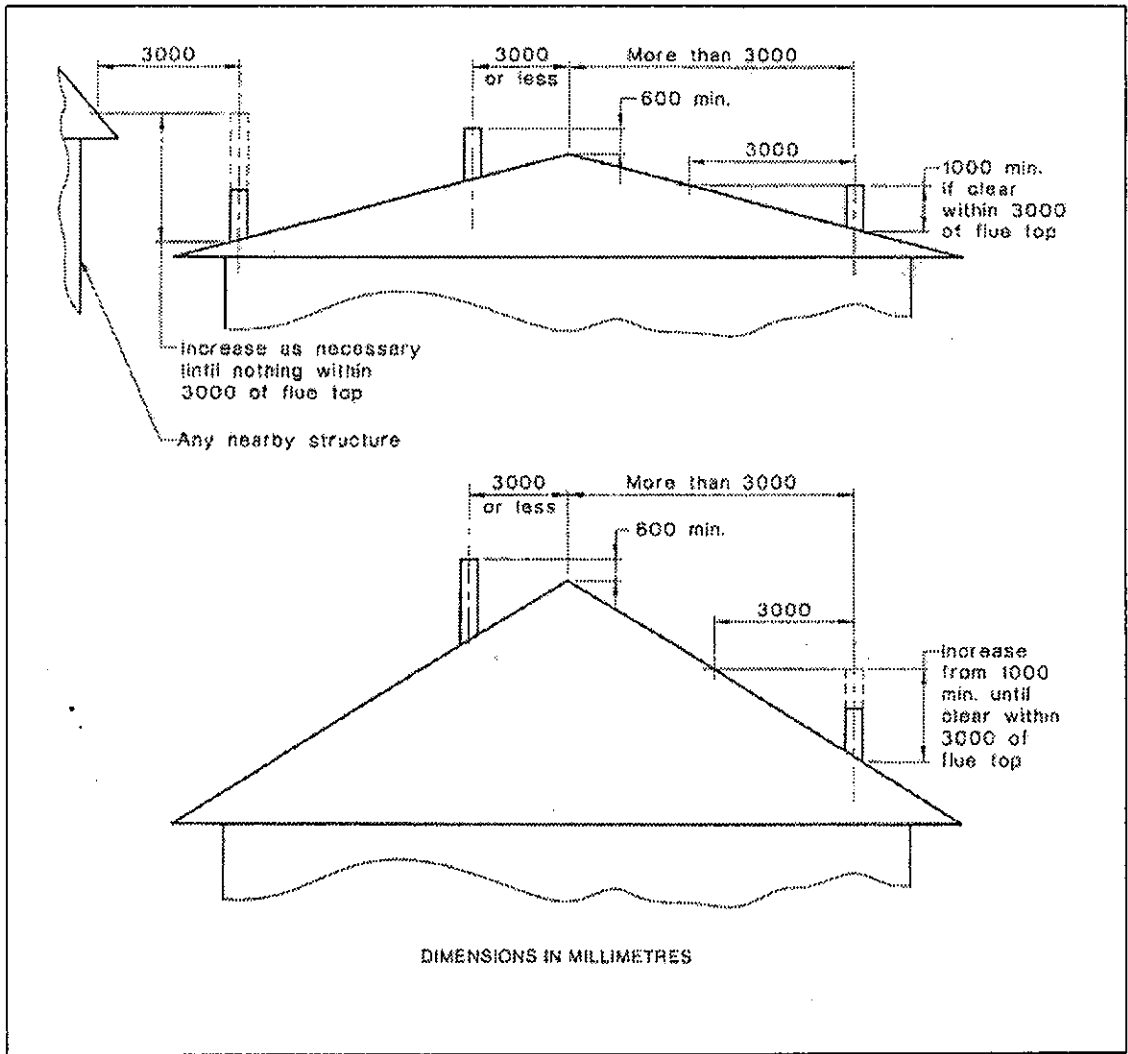


Diagram C AS/NZS 2918:2001 pg 37



HI-THERM STAINLESS STEEL FLUE PIPE

- *HI-THERM Flue Pipe is a high temperature, matt finish Flue Pipe designed for use on slow combustion, solid fuel heaters.*
- *HI-THERM Flue Pipe is ideal for heaters that have high flue temperatures and that also can be operated under circumstances that may produce creosoting of Flue Pipes for short periods of time, ie, on refuelling and with air control in shut or low position. Clean air guidelines must be observed.*
- *HI-THERM Flue Pipe is a maintainable product.*

What is the difference between Vitreous Enamelled and Hi-Therm Flue Pipe?

- *Enamelled Flue Pipe has a base metal of low carbon mild steel. The longevity of Enamelled Flue Pipe is dependent on the quality of the enamelled surface on the **inside of the Flue Pipe ONLY**.*
- *HI-THERM is a decorative finish only. The longevity is ensured by the Stainless Steel Flue Pipe.*
- *Enamelled Flue Pipe is very resistant to scratching, but may chip or craze. HI-THERM Flue Pipe is more readily scratched, but will not chip or craze.*
- *HI-THERM Flue Pipe is easily restored to original finish, Enamelled Flue Pipe cannot be restored.*
- *HI-THERM Flue Pipe may be cut or crimped without affecting the Flue Pipe longevity. Enamelled Flue Pipe **MUST NOT** be treated in any way that affects the inside enamelled surface.*
- *Enamelled Flue Pipe finish and longevity can be affected by a wide range of incorrect heater operation procedures.*
- *HI-THERM Flue Pipe finish may whiten with over-firing of the heater. Longevity of the Flue Pipe is not affected by the condition of HI-THERM paint finish.*
- *Enamelled Flue Pipe can be damaged internally by drilling or riveting.*

Date of Installation:	_____
Woodfire Make:	_____
Woodfire Model:	_____
Serial No.:	_____
Installed By:	_____
Owners:	_____

HI-THERM STAINLESS STEEL FLUE PIPES

CONDITIONS OF USE

- *The Wood Fire must be operated in accordance with the manufacturer's instructions. Clean air guidelines and regulations must be observed.*
- *HI-THERM Flue Pipe must be swept by mechanical means only. (We recommend mixed head or polypropylene brushes). Under NO circumstances should chemical flue cleaners, (soot destroyers) or steel chimney brushes be used.*
- *HI-THERM Flue Pipe should not be used on a Wood Fire burning treated or wet (unseasoned) wood. Only use newspaper when lighting the fire; never burn colour printed brochures or junk mail.*
- *HI-THERM Flue Pipes **must** be secured together with a minimum of three Monel Steel rivets equally spaced around the joint.*
- *The paint finish appearance may change, depending on Wood Fire operation and is designed to be a MAINTAINABLE finish. To maintain paint finish or touch up use only genuine STOVE BRIGHT Aerosol. (Refer label on packaging).*
- *HI-THERM Flue Pipe must be installed in accordance with SFP installation instructions, using flue componentry supplied by SFP. It is the responsibility of the installer to ensure no water leaks into the Hi-Therm Flue System.*
- *The Stainless Steel Flue Pipe used in "Hi-Therm Stainless Steel Flue Pipe" is warrantied for five years, providing the above conditions are met.*

**FAILURE TO OBSERVE THESE CONDITIONS
MAY NEGATE WARRANTIES**

VITREOUS ENAMELLED FLUE PIPE

CONDITIONS OF USE

- *The Wood Fire must be operated in accordance with the manufacturer's instructions. Particularly the Wood Fire must not be operated in a manner, or wood burnt that causes creosote build up in Flue Pipe. Clean air guidelines and regulations must be observed.*
- *Enamelled Flue Pipe must not be cut or crimped.*
- *Enamelled Flue Pipe must be swept by mechanical means only. (We recommend mixed head or polypropylene brushes). Under NO circumstances should chemical flue cleaners, (soot destroyers) or steel chimney brushes be used.*
- *Enamelled Flue Pipe should not be used on a Wood Fire burning coal, treated or wet (unseasoned) wood. **Only use newspaper when lighting the fire; never burn colour printed brochures or junk mail.***
- *Enamelled Flue Pipe should be sealed with Stovax Fire Cement or equivalent.*
- *Enamelled Flue Pipe **MUST** be installed in locations where the Flue Pipe is visible after installation is complete.*
- *Enamelled Flue Pipe must be installed in accordance with SFP installation instructions, using componentry supplied by SFP. It is the responsibility of the installer to ensure no water leaks into the Enamelled Flue System.*
- *Enamelled Flue Pipe will be warrantied for one year from time of installation providing the above conditions are met.*
- *Enamelled Flue Pipe may be joined without fasteners, however, three equally spaced Monel or Stainless Steel rivets should be used to secure Enamelled and Stainless Steel Flue Pipes together.*

**FAILURE TO OBSERVE THESE CONDITIONS
MAY NEGATE WARRANTIES**